

Conical Pt100 Sensor

- Hygienic, without gasket
- Compact mounting
- Fast response time
- High accuracy
- Wide temperature range
- Acid-proof, stainless steel



Description

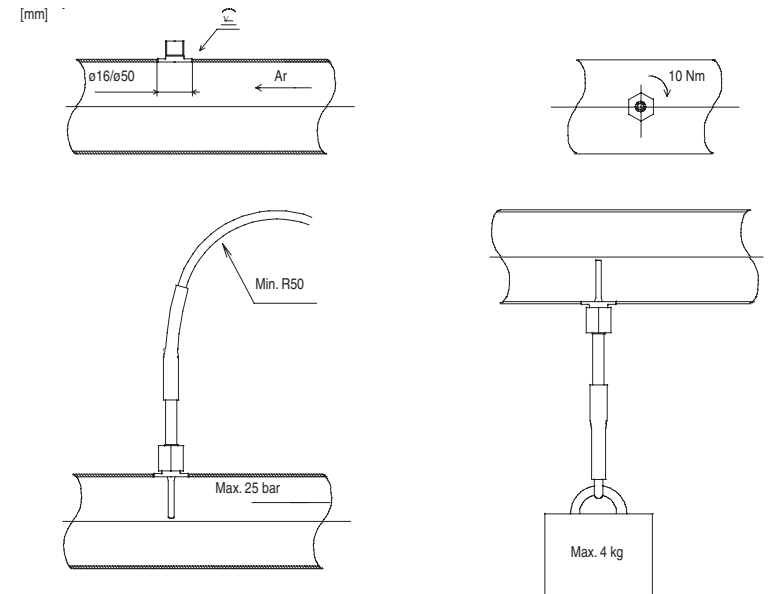
The wetted parts of the sensor are in acid-proof stainless steel and the supply wire in high-flexible, 4-wire silicone cable.

The conical sensor is ideal for measuring temperature in pipe systems and tanks. The sensor mounting is hygienic and without gasket in a male nipple part welded into the pipe or the tank wall. The nipple is available in both flat and curved versions.

Technical Data

Sensor		Environmental conditions	
Material	Acid-proof stainless steel AISI 316L (W 1.4404)	Humidity	< 95% RH, condensing
Time constant $\tau_{0,5}$	< 1.0 sec.	Measuring range	-50...205°C
Accuracy	DIN/EN/IEC 60751	Ambient temperature	-50...205°C
1/1 DIN B:	±0.3°C at 0°C	Marking label	-30...105°C
1/3 DIN B:	±0.1°C at 0°C	Vibrations	Lloyds Register, test 2
1/6 DIN B:	±0.05°C at 0°C	Protection class	IP 65
Pressure range	≤ 25 bar (water flow 3 m/sec.)	Disposal of product and packing	
Length	20 mm/25 mm	According to national laws or by returning to Baumer	
Cable		WARNING	
Type	High-flexible silicone, grey	This product contains no replaceable parts.	
Wires	4 (2 x red, 2 x white)	In case of malfunction the product must be shipped to Baumer for repair.	
Length	5 metres/10 metres		

Mounting Instructions



Accessories

Welding nipple, male G1/8, R=1"	Type no. ZPW2-125
Welding nipple, male G1/8, flat, ø16mm	Type no. ZPW2-122
Blind plug	Type no. ZPX5-12

