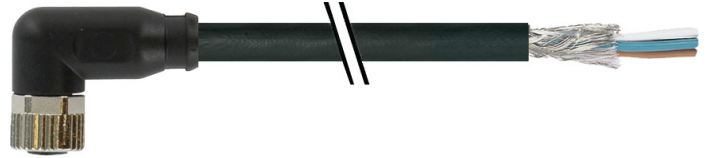


Overview

- M8, female, A-coded; 4-poles; PUR, shielded, 100 cm, free cable end
- Dragchain capable
- Head A: IP65, IP67
- Cable: good resistance against chemicals, flames and oils
- Halogen free



Technical data

Side A		Cable	
Head A: Connection	M8	Cable length	100 cm
Head A: Angle cable outlet	90°	Acceleration (C-track)	max. 5 m/s ²
Head A: Gender	Female	Bending radius (fixed)	min. 5 × outer diameter
Head A: Coding	A	Torsion speed	max. 35 cycles/min
Head A: No. of poles	4	Bending radius (mobile)	min. 10 × outer diameter
Head A: LED	No	Cable weight	approx. 50.6 g/m
Head A: Width across flats	AF9	Conductor structure	42 × 0.1 mm
Head A: Tightening torque	0.4 Nm	Cable diameter	5.3 mm ± 5%
Head A: Knurled nut material	Zinc-pressure die casting, surface Ni	Conductor: Material	Copper, bare
Head A: Body color	Black	External sheath: Material	PUR
Head A: Gasket material	FKM	Insulation: Material	PP
Labeling sleeve side A	Yes	Shielding: Material	Copper, tinned
Side B		No. of bending cycles (C-track)	approx. 500000 Cycles
Head B: Connection	Open-ended wires	Nominal voltage	300 V
Labeling sleeve side B	Yes	No. of torsion cycles	approx. 200000 Cycles
Cables		Paired stranding	No
Cable length	100 cm	Single wire diameter	0.1 mm
Length tolerance	+ 5 cm	Cable: Test voltage	2 kV AC core-core ; 2 kV AC core-shield
Stripping length	20 mm	Torsion stress in °	± 30 °/m
Shielded	Yes	Total stranding	4 wires strand
Conductor structure	42 × 0.1 mm	Travel speed (C-track)	max. 3.3 m/s
External sheath: Material	PUR	Traversing path (horizontal)	max. 5 m
External sheath: Color	Black	Wire cross section	0.34 mm ²
Cable diameter	5.3 mm ± 5%	Wire processing	No
Wire cross section	0.34 mm ²	Wire diameter incl. isolation	1.25 mm ± 5%
Cable		External sheath: Color	Black
External sheath: Shore hardness	90 ± 5 A	Electrical data	
Cable: Temperature range (mobile)	- 25 ...+ 80 °C	Operating voltage	max. 50 V AC / 60 V DC
Cable: Temperature range (fixed)	- 40 ...+ 80 °C	Nominal voltage	300 V
Shielded	Yes	Contact resistance	max. 30 mOhm
Shielding: Covering	approx. 80 %	Operating current per contact	max. 4 A
Bending radius (fixed)	26.5 mm	Mechanical data	
Number of wires	4	Head A: Degree of protection	IP65, IP67
Number and diameter of wires	4x0.34	Bending radius (mobile)	min. 10 × outer diameter
Length tolerance	+ 5 cm	Bending radius (fixed)	min. 5 × outer diameter
		No. of bending cycles (C-track)	approx. 500000 Cycles

2024-07-16 The product features and technical data specified do not express or imply any warranty. Technical modifications subject to change.

Technical data

Mechanical data

Torsion speed	max. 35 cycles/min
Torsion stress in °	± 30 °/m
No. of torsion cycles	approx. 2000000 Cycles
Acceleration (C-track)	max. 5 m/s ²
Travel speed (C-track)	max. 3.3 m/s

Environmental conditions

Temperature range (mobile)	- 25 ...+ 80 °C
Temperature range (fixed)	- 25 ...+ 80 °C
Cable: Temperature range (fixed)	- 40 ...+ 80 °C
Dragchain capable	Yes
Head A: Chemical resistance	No

Environmental conditions

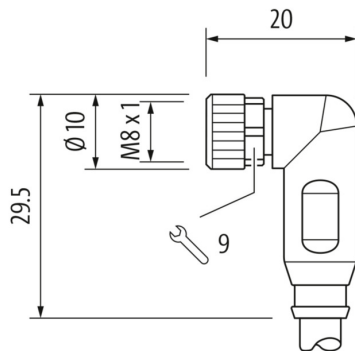
Head A: Flame resistance	HB (UL 94)
Head A: Oil resistance	ASTM 1 oil, mineral oils, limited to hydraulic oils
Head A: Acid and alkali resistant	No
Cable: Chemical resistance	Good (DIN EN 60811-404)
Cable: Flame resistance	Conform UL 1581 §1090 (H), CSA FT2, IEC 60332-2-2
Cable: Oil resistance	Good (DIN EN 60811-404)
Cable: Silicone-free	Yes

Commercial data

Eclass	27060311
--------	----------

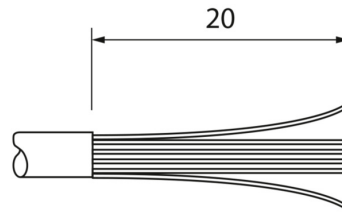
Side A

Technical drawing

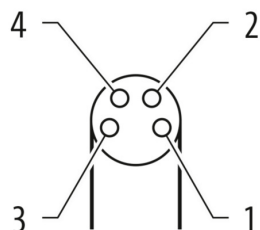


Side B

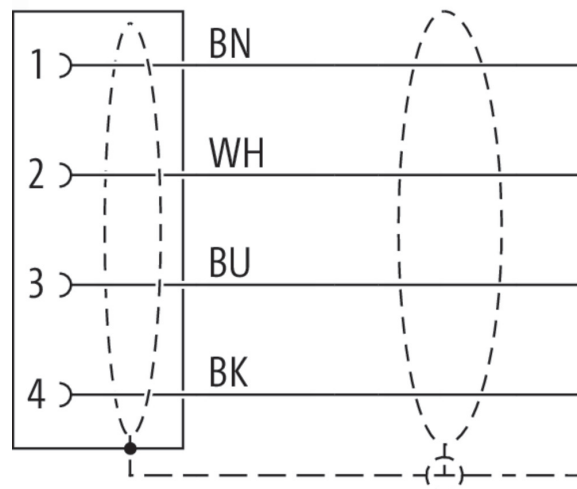
Technical drawing



Coding



Connection diagram



Dimension drawing

