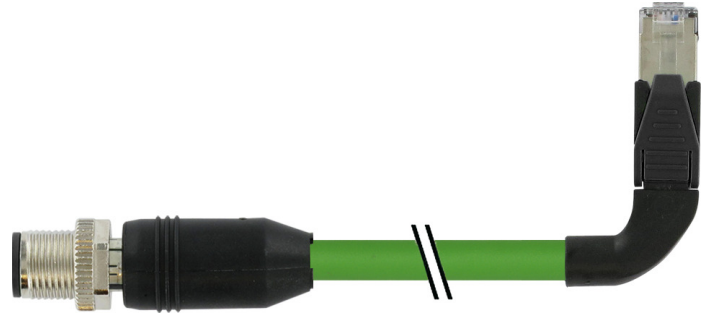


**Vue d'ensemble**

- M12, male, D-coded, 4-poles; PUR, 300 cm, shielded; RJ45, male, D-coded, 4-poles
- Dragchain capable, CAT5, 100 Mbit/s
- Head A: IP67; Head B: IP20
- Cable: good resistance against flames, oils
- Halogen free



**Caractéristiques techniques**

| Side A                            |                                       | Cable                           |   |
|-----------------------------------|---------------------------------------|---------------------------------|---|
| Head A: Connection                | M12                                   | Characteristic impedance        | 100 Ohm ± 15%                           |
| Head A: Angle cable outlet        | 0°                                    | Signal delay                    | 5,1 ns/m                                |
| Head A: Gender                    | Male                                  | Transmission rate               | 100 MBit/s                              |
| Head A: Coding                    | D                                     | Bending radius (fixed)          | 33,5 mm                                 |
| Head A: No. of poles              | 4                                     | Number of wires                 | 4                                       |
| Head A: LED                       | No                                    | Number and diameter of wires    | 4x0,355                                 |
| Head A: Width across flats        | AF13                                  | Length tolerance                | + 10 cm                                 |
| Head A: Tightening torque         | 0,6 Nm                                | Cable length                    | 300 cm                                  |
| Head A: Knurled nut material      | Zinc-pressure die casting, surface Ni | Acceleration (C-track)          | max. 2 m/s <sup>2</sup>                 |
| Head A: Body color                | Black                                 | AWG                             | 22                                      |
| Labeling sleeve side A            | Yes                                   | Bending radius (fixed)          | min. 5 × outer diameter                 |
| <b>Side B</b>                     |                                       | Bending radius (mobile)         | min. 12 × outer diameter                |
| Head B: Connection                | RJ45                                  | Cable weight                    | approx. 69,3 g/m                        |
| Head B: Angle cable outlet        | 90°                                   | Conductor structure             | 7 × 0,254 mm                            |
| Head B: Gender                    | Male                                  | Cable diameter                  | 6,7 mm ± 5%                             |
| Head B: No. of poles              | 4                                     | Insulation resistance           | min. 5 MOhm x m                         |
| Head B: LED                       | No                                    | Conductor: Material             | Copper, bare                            |
| Head B: Body color                | Black                                 | External sheath: Material       | PUR                                     |
| Labeling sleeve side B            | Yes                                   | Insulation: Material            | PE                                      |
| <b>Cables</b>                     |                                       | Shielding: Material             | Copper, tinned; PET aluminium coated    |
| Cable length                      | 300 cm                                | No. of bending cycles (C-track) | approx. 3000000 Cycles                  |
| Length tolerance                  | + 10 cm                               | Nominal voltage                 | 300 V                                   |
| Shielded                          | Oui                                   | Paired stranding                | No                                      |
| Conductor structure               | 7 × 0,254 mm                          | Single wire diameter            | 0,254 mm                                |
| AWG                               | 22                                    | Cable: Test voltage             | 2 kV AC core-core ; 2 kV AC core-shield |
| External sheath: Material         | PUR                                   | Total stranding                 | 4 wires strand around core-filler       |
| External sheath: Color            | Green                                 | Travel speed (C-track)          | max. 3,3 m/s                            |
| Cable diameter                    | 6,7 mm ± 5%                           | Traversing path (horizontal)    | max. 5 m                                |
| Wire cross section                | 0.355 mm <sup>2</sup>                 | Wire cross section              | 0.355 mm <sup>2</sup>                   |
| <b>Cable</b>                      |                                       | Wire processing                 | No                                      |
| Cable: Temperature range (mobile) | - 30 ...+ 70 °C                       | Wire diameter incl. isolation   | 1,4 mm ± 5%                             |
| Cable: Temperature range (fixed)  | - 40 ...+ 80 °C                       | External sheath: Color          | Green                                   |
| Shielded                          | Oui                                   | Protocols                       | CAT5e                                   |
| Shielding: Covering               | approx. 85 %                          | <b>Données électriques</b>      |   |
|                                   |                                       | Operating voltage               | max. 60 V DC                            |

**Caractéristiques techniques**

**Données électriques**

|                               |              |
|-------------------------------|--------------|
| Nominal voltage               | 300 V        |
| Contact resistance            | max. 30 mOhm |
| Operating current per contact | max. 1,5 A   |

**Données mécaniques**

|                                 |                          |
|---------------------------------|--------------------------|
| Head A: Degree of protection    | IP67                     |
| Head B: Degree of protection    | IP20                     |
| Bending radius (mobile)         | min. 12 × outer diameter |
| Bending radius (fixed)          | min. 5 × outer diameter  |
| No. of bending cycles (C-track) | approx. 3000000 Cycles   |
| Acceleration (C-track)          | max. 2 m/s <sup>2</sup>  |
| Travel speed (C-track)          | max. 3,3 m/s             |

**Conditions ambiantes**

|                                  |                 |
|----------------------------------|-----------------|
| Temperature range (mobile)       | - 25 ...+ 70 °C |
| Temperature range (fixed)        | - 25 ...+ 80 °C |
| Cable: Temperature range (fixed) | - 40 ...+ 80 °C |
| Dragchain capable                | Oui             |
| Head A: Chemical resistance      | No              |

**Conditions ambiantes**

|                                   |   |
|-----------------------------------|---|
| Head A: Flame resistance          | HB (UL 94)  |
| Head A: Oil resistance            | ASTM 1 oil, mineral oils, limited to hydraulic oils     |
| Head A: Acid and alkali resistant | No  |
| Head A: Pollution degree          | 3   |
| Head B: Chemical resistance       | No  |
| Head B: Flame resistance          | HB (UL 94)  |
| Head B: Oil resistance            | ASTM 1 oil, mineral oils, limited to hydraulic oils     |
| Head B: Acid and alkali resistant | No  |
| Head B: Pollution degree          | 3   |
| Cable: Flame resistance           | Conform UL 1581 §1090, §1100 (FT2), IEC 60332-1-2 Std.  |
| Cable: Oil resistance             | Conform IEC 60811-2-1, ASTM IRM 901, ICEA S-82-552 Std. |
| Cable: Silicone-free              | Oui   |

**Commercial data**

|        |          |
|--------|----------|
| Eclass | 27061801 |
|--------|----------|

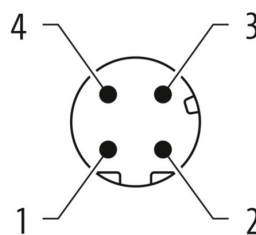
**Side A**

**Technical drawing**



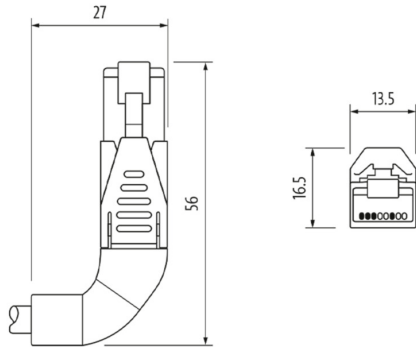
**Side A**

**Coding**



**Side B**

**Technical drawing**



**Dessin d'encombrement**



**Coding**



**Schéma de raccordement**

