

**Overview**

- M12, male, A-coded, 8-poles; PUR, 100 cm, shielded; M12, female, A-coded, 8-poles
- Dragchain capable
- Head A: IP65, IP66K, IP67; Head B: IP65, IP66K, IP67
- Cable: good resistance against chemicals, flames, oils
- Halogen free



**Technical data**

**Side A**

|                              |                                       |
|------------------------------|---------------------------------------|
| Head A: Connection           | M12                                   |
| Head A: Angle cable outlet   | 0°                                    |
| Head A: Gender               | Male                                  |
| Head A: Coding               | A                                     |
| Head A: No. of poles         | 8                                     |
| Head A: LED                  | No                                    |
| Head A: Width across flats   | AF13                                  |
| Head A: Tightening torque    | 0.6 Nm                                |
| Head A: Knurled nut material | Zinc-pressure die casting, surface Ni |
| Head A: Body color           | Black                                 |
| Labeling sleeve side A       | Yes                                   |

**Side B**

|                              |                                       |
|------------------------------|---------------------------------------|
| Head B: Connection           | M12                                   |
| Head B: Angle cable outlet   | 90°                                   |
| Head B: Gender               | Female                                |
| Head B: Coding               | A                                     |
| Head B: No. of poles         | 8                                     |
| Head B: LED                  | No                                    |
| Head B: Width across flats   | AF13                                  |
| Head B: Tightening torque    | 0.6 Nm                                |
| Head B: Knurled nut material | Zinc-pressure die casting, surface Ni |
| Head B: Body color           | Black                                 |
| Head B: Gasket material      | FKM                                   |
| Labeling sleeve side B       | Yes                                   |

**Cables**

|                           |                      |
|---------------------------|----------------------|
| Cable length              | 100 cm               |
| Length tolerance          | + 5 cm               |
| Shielded                  | Yes                  |
| Conductor structure       | 32 × 0.1 mm          |
| AWG                       | 24                   |
| External sheath: Material | PUR                  |
| External sheath: Color    | Black                |
| Cable diameter            | 7 mm ± 5%            |
| Wire cross section        | 0.25 mm <sup>2</sup> |

**Cable**

|                                   |                 |
|-----------------------------------|-----------------|
| Cable: Temperature range (mobile) | - 25 ...+ 80 °C |
|-----------------------------------|-----------------|

**Cable**

|                                    |   |
|------------------------------------|---|
| Cable: Temperature range (fixed)   | - 40 ...+ 80 °C                         |
| Operating voltage (only UL listed) | 30 V AC/DC                              |
| Shielded                           | Yes                                     |
| Shielding: Covering                | approx. 80 %                            |
| Bending radius (fixed)             | 35 mm                                   |
| Number of wires                    | 8                                       |
| Number and diameter of wires       | 8x0.25                                  |
| Length tolerance                   | + 5 cm                                  |
| Cable length                       | 100 cm                                  |
| Acceleration (C-track)             | max. 5 m/s <sup>2</sup>                 |
| AWG                                | 24                                      |
| Bending radius (fixed)             | min. 5 × outer diameter                 |
| Torsion speed                      | max. 35 cycles/min                      |
| Bending radius (mobile)            | min. 10 × outer diameter                |
| Cable type                         | 3                                       |
| Cable weight                       | approx. 66 g/m                          |
| Conductor structure                | 32 × 0.1 mm                             |
| Cable diameter                     | 7 mm ± 5%                               |
| Conductor: Material                | Copper, bare                            |
| External sheath: Material          | PUR                                     |
| Insulation: Material               | PP                                      |
| Shielding: Material                | Copper, tinned                          |
| No. of bending cycles (C-track)    | approx. 5000000 Cycles                  |
| Nominal voltage                    | 300 V                                   |
| No. of torsion cycles              | approx. 2000000 Cycles                  |
| Paired stranding                   | No                                      |
| Single wire diameter               | 0.1 mm                                  |
| Cable: Test voltage                | 2 kV AC core-core ; 2 kV AC core-shield |
| Torsion stress in °                | ± 30 °/m                                |
| Total stranding                    | 8 wires strand around core-filler       |
| Travel speed (C-track)             | max. 3.3 m/s                            |
| Traversing path (horizontal)       | max. 5 m                                |
| Wire cross section                 | 0.25 mm <sup>2</sup>                    |
| Wire processing                    | No                                      |
| Wire diameter incl. isolation      | 1.2 mm ± 5%                             |

**Technical data**

**Cable**

External sheath: Color      Black

**Electrical data**

Operating voltage            max. 30 V AC/DC

Operating voltage (only UL listed)      30 V AC/DC

Nominal voltage            300 V

Contact resistance            max. 30 mOhm

Operating current per contact            max. 2 A

**Mechanical data**

Head A: Degree of protection      IP65, IP66K, IP67

Head B: Degree of protection      IP65, IP66K, IP67

Bending radius (mobile)            min. 10 × outer diameter

Bending radius (fixed)            min. 5 × outer diameter

No. of bending cycles (C-track)            approx. 5000000 Cycles

Torsion speed                    max. 35 cycles/min

Torsion stress in °                    ± 30 °/m

No. of torsion cycles                    approx. 2000000 Cycles

Acceleration (C-track)            max. 5 m/s<sup>2</sup>

Travel speed (C-track)            max. 3.3 m/s

**Environmental conditions**

Temperature range (mobile)            - 25 ...+ 80 °C

Temperature range (fixed)            - 25 ...+ 80 °C

**Environmental conditions**

Cable: Temperature range (fixed)      - 40 ...+ 80 °C

Dragchain capable                    Yes

Head A: Chemical resistance            No

Head A: Flame resistance            HB (UL 94)

Head A: Oil resistance            ASTM 1 oil, mineral oils, limited to hydraulic oils

Head A: Acid and alkali resistant            No

Head A: Pollution degree            3

Head B: Chemical resistance            No

Head B: Flame resistance            HB (UL 94)

Head B: Oil resistance            ASTM 1 oil, mineral oils, limited to hydraulic oils

Head B: Acid and alkali resistant            No

Head B: Pollution degree            3

Cable: Chemical resistance            Good (DIN EN 60811-404)

Cable: Flame resistance            Conform UL 1581 §1090 (H), CSA FT2, IEC 60332-2-2

Cable: Oil resistance            Good (DIN EN 60811-404)

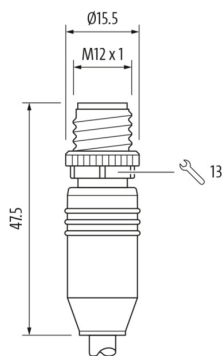
Cable: Silicone-free                    Yes

**Commercial data**

Eclass                                    27060311

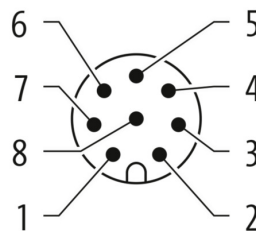
**Side A**

**Technical drawing**



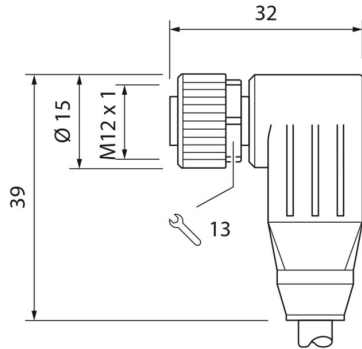
**Side A**

**Coding**



**Side B**

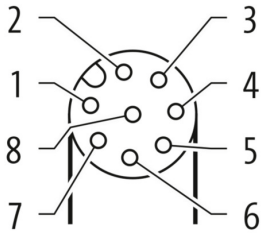
**Technical drawing**



**Dimension drawing**



**Coding**



**Connection diagram**

