

Overview

- Y-Connector M12 male 0° - M8 female 0°
- PUR, IP67
- Good chemical and oil resistance



Technical data

Side A

Head A: Connection	M12
Head A: Angle cable outlet	0°
Head A: Gender	Male
Head A: Coding	A
Head A: No. of poles	4
Head A: Width across flats	AF13
Head A: Tightening torque	0.6 Nm
Head A: Knurled nut material	Zinc-pressure die casting, surface Ni

Side B

Head B: Connection	M8
Head B: Angle cable outlet	0°
Head B: Gender	Female
Head B: Coding	A
Head B: No. of poles	4
Head B: Width across flats	AF9
Head B: Tightening torque	0.4 Nm
Head B: Knurled nut material	Zinc-pressure die casting, surface Ni

Head C: Connection	M8
Head C: Angle cable outlet	0°
Head C: Gender	Female
Head C: Coding	A
Head C: No. of poles	4
Head C: Width across flats	AF9
Head C: Tightening torque	0.4 Nm
Head C: Knurled nut material	Zinc-pressure die casting, surface Ni

Cables

Cable length	15 cm
Length tolerance	+ 3 cm

Cables

Shielded	No
External sheath: Material	PUR
External sheath: Color	Black
Wire cross section	0.25 mm ²

Cable

Cable: Temperature range (mobile)	- 25 ...+ 80 °C
-----------------------------------	-----------------

Cable: Temperature range (fixed)	- 40 ...+ 80 °C
----------------------------------	-----------------

Shielded	No
Length tolerance	+ 3 cm
Cable length	15 cm
Cable type	3

External sheath: Material	PUR
Insulation: Material	PP
Wire cross section	0.25 mm ²
External sheath: Color	Black

Electrical data

Operating voltage	max. 50 V AC/DC
-------------------	-----------------

Operating current per contact	max. 4 A
-------------------------------	----------

Mechanical data

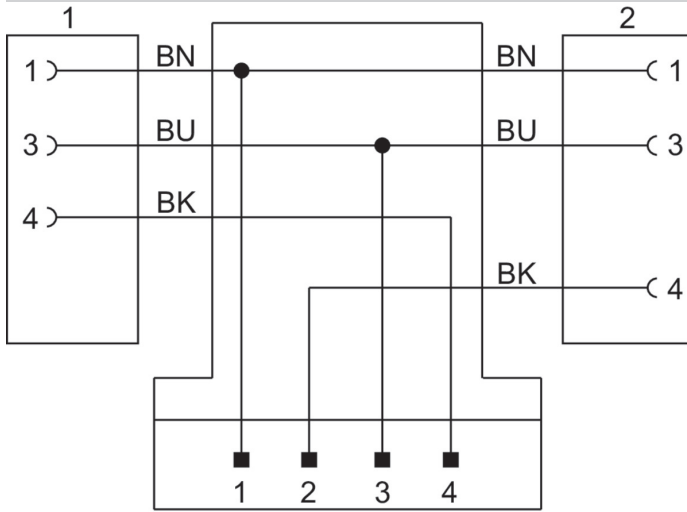
Head B: Degree of protection	IP67
------------------------------	------

Environmental conditions

Cable: Temperature range (fixed)	- 40 ...+ 80 °C
----------------------------------	-----------------

Head A: Pollution degree	3
Head B: Pollution degree	3
Head C: Pollution degree	3
Head C: Oil resistance	Yes

Connection diagram



Dimension drawing

