

Overview

- Female angular 90°
- M12 , 4-pole, A-coded
- max. 0,75mm², 4 - 6mm

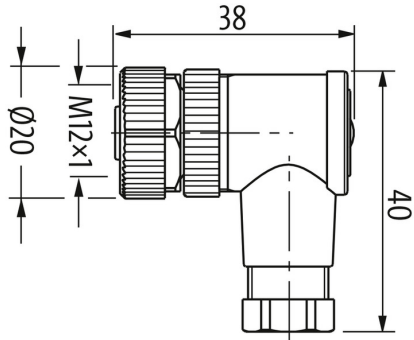


Technical data

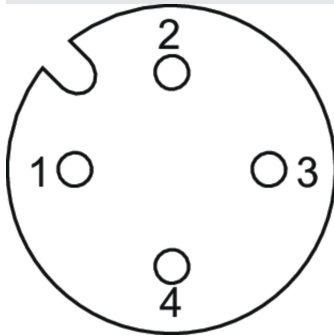
Side A		Side A	
Head A: Connection	M12	Cable diameter (max.)	6 mm
Head A: Angle cable outlet	90°	Cable diameter (min.)	4 mm
Head A: Gender	Female	Electrical data	
Head A: Coding	A	Operating voltage	max. 250 V AC/DC 0
Head A: Shielded	No	Operating current per contact	max. 4 A
Head A: No. of poles	4	Mechanical data	
Head A: Tightening torque	0.6 Nm	Head A: Degree of protection	IP67
Head A: Knurled nut material	GD-Zn,Ni	Environmental conditions	
Head A: Body color	Black	Temperature range (fixed)	- 40 ...+ 85 °C
Head A: Gasket material	Elastomer	Head A: Pollution degree	3
Max. AWG	20	Commercial data	
Connection method	Screw terminals	Eclass	27440102
Wire cross section (max.)	0.75 mm ²		

Side A

Technical drawing



Coding



Connection diagram

