

Vue d'ensemble

- M12, female, A-coded, 4-poles; PUR, 2000 cm, free cable end
- Dragchain capable; suitable for robotics $\pm 180^\circ/\text{m}$
- Head A: IP65, IP66K, IP67
- Cable: good resistance against chemicals, flames, oils



Caractéristiques techniques

| Side A | | Cable | |
|------------------------------------|---------------------------------------|------------------------------------|--------------------------|
| Head A: Connection | M12 | Number and diameter of wires | 4x0,34 |
| Head A: Angle cable outlet | 90° | Length tolerance | ± 30 cm |
| Head A: Gender | Female | Cable length | 2000 cm |
| Head A: Coding | A | Acceleration (C-track) | max. 10 m/s ² |
| Head A: No. of poles | 4 | AWG | 22 |
| Head A: LED | Oui | Bending radius (fixed) | min. 5 × outer diameter |
| Head A: LED switching status | PNP | Torsion speed | max. 35 cycles/min |
| Head A: Width across flats | AF13 | Bending radius (mobile) | min. 10 × outer diameter |
| Head A: Tightening torque | 0,6 Nm | Cable type | 3 |
| Head A: Knurled nut material | Zinc-pressure die casting, surface Ni | Cable weight | approx. 36,3 g/m |
| Head A: Body color | Transparent | Conductor structure | 42 × 0,1 mm |
| Head A: Gasket material | FKM | Cable diameter | 4,5 mm $\pm 5\%$ |
| Labeling sleeve side A | Yes | Conductor: Material | Copper, bare |
| Side B | | External sheath: Material | PUR |
| Head B: Connection | Open-ended wires | Insulation: Material | PP |
| Labeling sleeve side B | Yes | No. of bending cycles (C-track) | approx. 10000000 Cycles |
| Cables | | Nominal voltage | 300 V |
| Cable length | 2000 cm | No. of torsion cycles | approx. 2000000 Cycles |
| Length tolerance | ± 30 cm | Paired stranding | No |
| Stripping length | 20 mm | Single wire diameter | 0,1 mm |
| Shielded | No | Cable: Test voltage | 2,5 kV |
| Conductor structure | 42 × 0,1 mm | Torsion stress in ° | $\pm 180^\circ/\text{m}$ |
| AWG | 22 | Total stranding | 4 wires strand |
| External sheath: Material | PUR | Travel speed (C-track) | max. 3 m/s |
| External sheath: Color | Black | Traversing path (horizontal) | max. 10 m |
| Cable diameter | 4,5 mm $\pm 5\%$ | Wire cross section | 0,34 mm ² |
| Wire cross section | 0,34 mm ² | Wire processing | No |
| Cable | | Wire diameter incl. isolation | 1,25 mm $\pm 5\%$ |
| External sheath: Shore hardness | 90 ± 5 A | External sheath: Color | Black |
| Cable: Temperature range (mobile) | - 25 ...+ 80 °C | Données électriques | |
| Cable: Temperature range (fixed) | - 40 ...+ 80 °C | Operating voltage | 24 V DC $\pm 25\%$ |
| Operating voltage (only UL listed) | 30 V DC | Operating voltage (only UL listed) | 30 V DC |
| Shielded | No | Nominal voltage | 300 V |
| Bending radius (fixed) | 22,5 mm | Contact resistance | max. 30 mOhm |
| Number of wires | 4 | Operating current per contact | max. 4 A |

Caractéristiques techniques

Données mécaniques

| | |
|---------------------------------|--------------------------|
| Head A: Degree of protection | IP65, IP66K, IP67 |
| Bending radius (mobile) | min. 10 × outer diameter |
| Bending radius (fixed) | min. 5 × outer diameter |
| No. of bending cycles (C-track) | approx. 10000000 Cycles |
| Torsion speed | max. 35 cycles/min |
| Torsion stress in ° | ± 180 °/m |
| No. of torsion cycles | approx. 2000000 Cycles |
| Acceleration (C-track) | max. 10 m/s ² |
| Travel speed (C-track) | max. 3 m/s |

Conditions ambiantes

| | |
|----------------------------------|-----------------|
| Temperature range (mobile) | - 25 ...+ 80 °C |
| Temperature range (fixed) | - 25 ...+ 80 °C |
| Cable: Temperature range (fixed) | - 40 ...+ 80 °C |

Conditions ambiantes

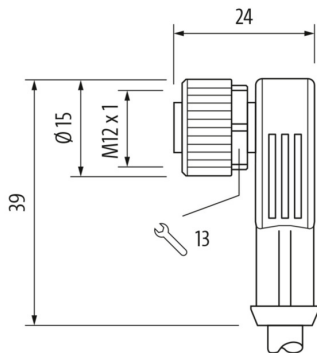
| | |
|-----------------------------------|---|
| Dragchain capable | Oui |
| Head A: Chemical resistance | No |
| Head A: Flame resistance | HB (UL 94) |
| Head A: Oil resistance | ASTM 1 oil, mineral oils, limited to hydraulic oils |
| Head A: Acid and alkali resistant | No |
| Head A: Pollution degree | 3 |
| Cable: Chemical resistance | Good (DIN EN 60811-404) |
| Cable: Flame resistance | Conform UL 1581 §1090 (H), CSA FT2, IEC 60332-2-2 |
| Cable: Oil resistance | Good (DIN EN 60811-404) |
| Cable: Silicone-free | Oui |

Commercial data

| | |
|--------|----------|
| Eclass | 27060311 |
|--------|----------|

Side A

Technical drawing



Side B

Technical drawing



Coding

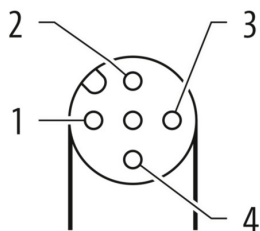
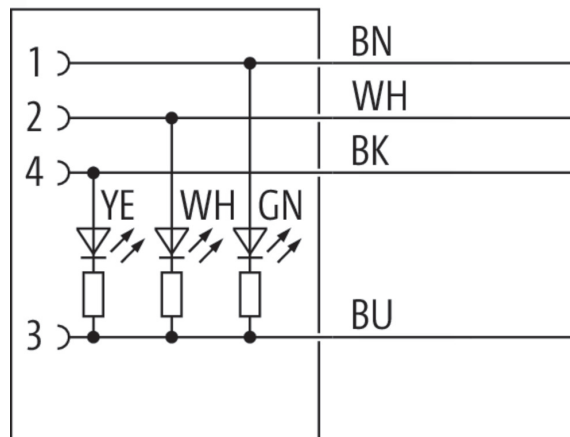


Schéma de raccordement



Dessin d'encombrement

