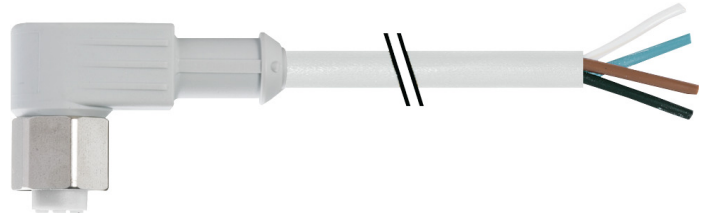


Overview

- M12, female, A-coded; 4-poles; PVC, 2500 cm, free cable end
- Suitable for food & beverage
- Head A: IP65, IP68
- Cable: good resistance against chemicals, flames



Technical data

| Side A | | Cable | |
|------------------------------------|-----------------------|------------------------------------|-------------------------|
| Head A: Connection | M12 | Cable length | 2500 cm |
| Head A: Angle cable outlet | 90° | AWG | 22 |
| Head A: Gender | Female | Bending radius (fixed) | min. 5 × outer diameter |
| Head A: Coding | A | Cable type | 1 |
| Head A: No. of poles | 4 | Cable weight | approx. 40.7 g/m |
| Head A: LED | No | Conductor structure | 19 × 0.15 mm |
| Head A: Width across flats | AF14 | Cable diameter | 5 mm ± 5% |
| Head A: Tightening torque | 0.6 Nm | Conductor: Material | Copper, bare |
| Head A: Knurled nut material | Stainless steel (V4A) | External sheath: Material | PVC |
| Head A: Body color | Gray | Insulation: Material | PVC |
| Head A: Gasket material | FKM | Nominal voltage | 300 V AC |
| Labeling sleeve side A | No | Paired stranding | No |
| Side B | | Single wire diameter | 0.15 mm |
| Head B: Connection | Open-ended wires | Cable: Test voltage | 2 kV |
| Labeling sleeve side B | No | Total stranding | 4 wires strand |
| Cables | | Wire cross section | 0.34 mm ² |
| Cable length | 2500 cm | Wire processing | No |
| Length tolerance | ± 37.5 cm | Wire diameter incl. isolation | 1.25 mm ± 5% |
| Stripping length | 20 mm | External sheath: Color | Gray |
| Shielded | No | Electrical data | |
| Conductor structure | 19 × 0.15 mm | Operating voltage | max. 250 V AC/DC |
| AWG | 22 | Operating voltage (only UL listed) | 30 V AC/DC |
| External sheath: Material | PVC | Nominal voltage | 300 V AC |
| External sheath: Color | Gray | Contact resistance | max. 30 mOhm |
| Cable diameter | 5 mm ± 5% | Operating current per contact | max. 4 A |
| Wire cross section | 0.34 mm ² | Mechanical data | |
| Cable | | Head A: Degree of protection | IP65, IP68 |
| Cable: Temperature range (mobile) | - 5 ...+ 80 °C | Bending radius (fixed) | min. 5 × outer diameter |
| Cable: Temperature range (fixed) | - 30 ...+ 80 °C | Environmental conditions | |
| Operating voltage (only UL listed) | 30 V AC/DC | Temperature range (mobile) | - 5 ...+ 80 °C |
| Shielded | No | Temperature range (fixed) | - 25 ...+ 80 °C |
| Bending radius (fixed) | 25 mm | Cable: Temperature range (fixed) | - 30 ...+ 80 °C |
| Number of wires | 4 | Dragchain capable | No |
| Number and diameter of wires | 4x0.34 | Head A: Chemical resistance | No |
| Length tolerance | ± 37.5 cm | | |

2024-07-16 The product features and technical data specified do not express or imply any warranty. Technical modifications subject to change.

Technical data

Environmental conditions

| | |
|-----------------------------------|---|
| Head A: Flame resistance | HB (UL 94) |
| Head A: Oil resistance | ASTM 1 oil, mineral oils, limited to hydraulic oils |
| Head A: Acid and alkali resistant | No |
| Head A: Pollution degree | 3 |
| Cable: Chemical resistance | Good |

Environmental conditions

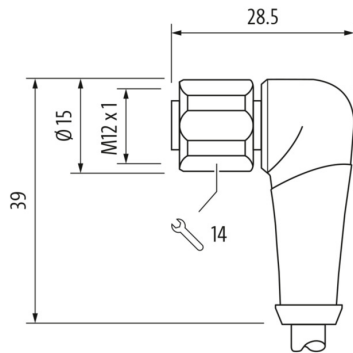
| | |
|-------------------------|--|
| Cable: Flame resistance | Conform UL 1581 VW-1, CSA FT1, IEC 60332-1-2 |
| Cable: Oil resistance | Good |
| Cable: Silicone-free | Yes |

Commercial data

| | |
|--------|----------|
| Eclass | 27060311 |
|--------|----------|

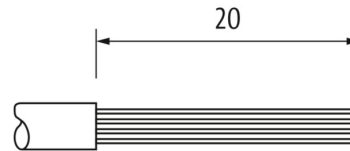
Side A

Technical drawing

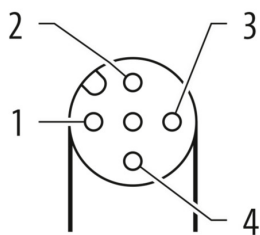


Side B

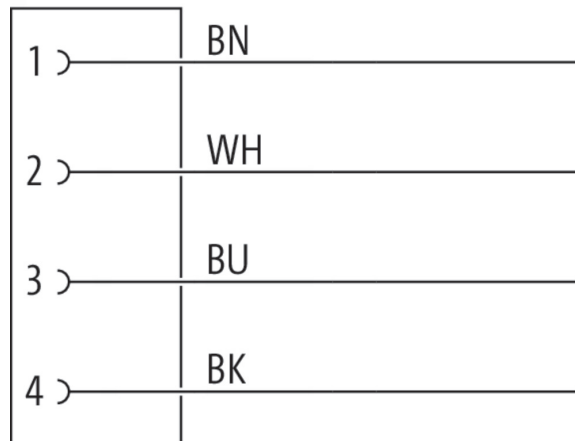
Technical drawing



Coding



Connection diagram



Dimension drawing

