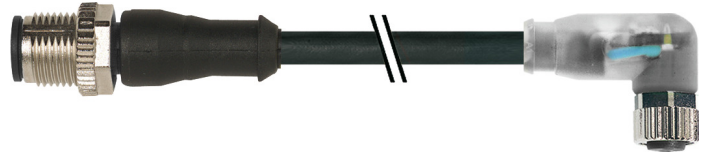


**Vue d'ensemble**

- M12, male, A-coded, 4-poles; PUR, 200 cm; M8, female, A-coded, 4-poles
- Dragchain capable; suitable for robotics  $\pm 180^\circ/\text{m}$
- Head A: IP65, IP66K, IP67; Head B: IP65, IP66K, IP67
- Cable: good resistance against chemicals, flames, oils


**Caractéristiques techniques**
**Side A**

Head A: Connection	M12
Head A: Angle cable outlet	0°
Head A: Gender	Male
Head A: Coding	A
Head A: No. of poles	4
Head A: LED	No
Head A: Width across flats	AF13
Head A: Tightening torque	0,6 Nm
Head A: Knurled nut material	Zinc-pressure die casting, surface Ni
Head A: Body color	Black
Labeling sleeve side A	Yes

**Side B**

Head B: Connection	M8
Head B: Angle cable outlet	90°
Head B: Gender	Female
Head B: Coding	A
Head B: No. of poles	4
Head B: LED	Oui
Head B: LED switching status	PNP
Head B: Width across flats	AF9
Head B: Tightening torque	0,4 Nm
Head B: Knurled nut material	Zinc-pressure die casting, surface Ni
Head B: Body color	Transparent
Head B: Gasket material	FKM
Labeling sleeve side B	Yes

**Cables**

Cable length	200 cm
Length tolerance	+ 10 cm
Shielded	No
Conductor structure	32 × 0,1 mm
AWG	24
External sheath: Material	PUR
External sheath: Color	Black
Cable diameter	4,5 mm ± 5%
Wire cross section	0,25 mm <sup>2</sup>

**Cable**

External sheath: Shore hardness	90 ± 5 A
Cable: Temperature range (mobile)	- 25 ...+ 80 °C
Cable: Temperature range (fixed)	- 40 ...+ 80 °C
Operating voltage (only UL listed)	30 V AC/DC
Shielded	No
Bending radius (fixed)	22,5 mm
Number of wires	4
Number and diameter of wires	4x0,25
Length tolerance	+ 10 cm
Cable length	200 cm
Acceleration (C-track)	max. 10 m/s <sup>2</sup>
AWG	24
Bending radius (fixed)	min. 5 × outer diameter
Torsion speed	max. 35 cycles/min
Bending radius (mobile)	min. 10 × outer diameter
Cable type	3
Cable weight	approx. 33 g/m
Conductor structure	32 × 0,1 mm
Cable diameter	4,5 mm ± 5%
Conductor: Material	Copper, bare
External sheath: Material	PUR
Insulation: Material	PP
No. of bending cycles (C-track)	approx. 1000000 Cycles
Nominal voltage	300 V
No. of torsion cycles	approx. 2000000 Cycles
Paired stranding	No
Single wire diameter	0,1 mm
Cable: Test voltage	2,5 kV
Torsion stress in °	± 180 °/m
Total stranding	4 wires strand
Travel speed (C-track)	max. 3 m/s
Traversing path (horizontal)	max. 10 m
Wire cross section	0,25 mm <sup>2</sup>
Wire processing	No
Wire diameter incl. isolation	1,25 mm ± 5%

**Caractéristiques techniques**

**Cable**

External sheath: Color      Black

**Données électriques**

Operating voltage            24 V DC ± 25 %

Operating voltage (only UL listed)      30 V AC/DC

Nominal voltage            300 V

Contact resistance            max. 30 mOhm

Operating current per contact            max. 4 A

**Données mécaniques**

Head A: Degree of protection      IP65, IP66K, IP67

Head B: Degree of protection      IP65, IP66K, IP67

Bending radius (mobile)      min. 10 × outer diameter

Bending radius (fixed)      min. 5 × outer diameter

No. of bending cycles (C-track)      approx. 10000000 Cycles

Torsion speed                  max. 35 cycles/min

Torsion stress in °                  ± 180 °/m

No. of torsion cycles                  approx. 2000000 Cycles

Acceleration (C-track)                  max. 10 m/s<sup>2</sup>

Travel speed (C-track)                  max. 3 m/s

**Conditions ambiantes**

Temperature range (mobile)      - 25 ...+ 80 °C

Temperature range (fixed)      - 25 ...+ 80 °C

**Conditions ambiantes**

Cable: Temperature range (fixed)      - 40 ...+ 80 °C

Dragchain capable                  Oui

Head A: Chemical resistance      No

Head A: Flame resistance      HB (UL 94)

Head A: Oil resistance                  ASTM 1 oil, mineral oils, limited to hydraulic oils

Head A: Acid and alkali resistant      No

Head A: Pollution degree                  3

Head B: Chemical resistance      No

Head B: Flame resistance      HB (UL 94)

Head B: Oil resistance                  ASTM 1 oil, mineral oils, limited to hydraulic oils

Head B: Acid and alkali resistant      No

Head B: Pollution degree                  3

Cable: Chemical resistance                  Good (DIN EN 60811-404)

Cable: Flame resistance                  Conform UL 1581 §1090 (H), CSA FT2, IEC 60332-2-2

Cable: Oil resistance                  Good (DIN EN 60811-404)

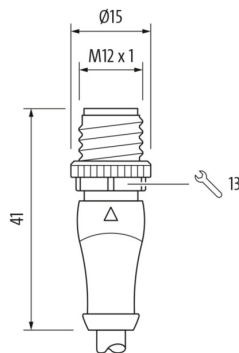
Cable: Silicone-free                  Oui

**Commercial data**

Eclass                                  27060311

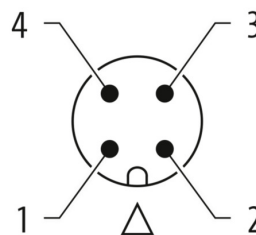
**Side A**

**Technical drawing**



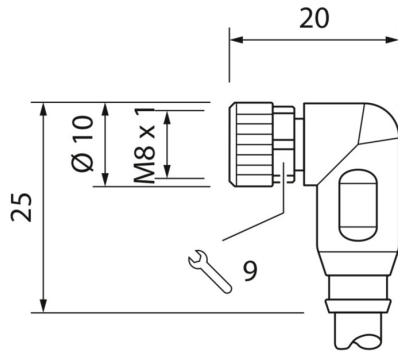
**Side A**

**Coding**



**Side B**

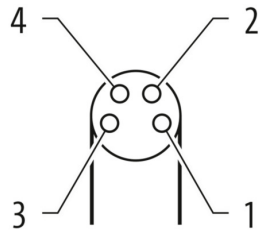
**Technical drawing**



**Dessin d'encombrement**



**Coding**



**Schéma de raccordement**

