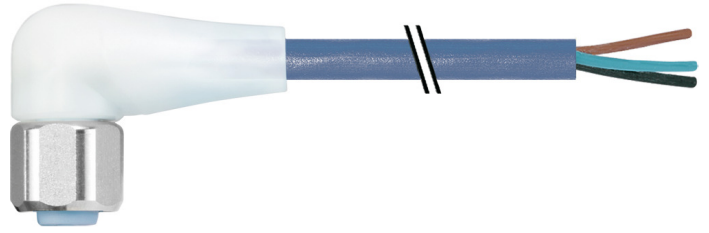


**Vue d'ensemble**

- M12, female, A-coded; 3-poles; TPE-S, 300 cm, free cable end
- Dragchain capable; suitable for robotics  $\pm 180^\circ/\text{m}$ ; suitable for food & beverage
- Head A: IP65, IP68, IP69K
- ECOLAB tested
- Halogen free


**Caractéristiques techniques**
**Side A**

|                              |                       |
|------------------------------|-----------------------|
| Head A: Connection           | M12                   |
| Head A: Angle cable outlet   | 90°                   |
| Head A: Gender               | Female                |
| Head A: Coding               | A                     |
| Head A: No. of poles         | 3                     |
| Head A: LED                  | Oui                   |
| Head A: LED switching status | PNP                   |
| Head A: Width across flats   | AF14                  |
| Head A: Tightening torque    | 0,6 Nm                |
| Head A: Knurled nut material | Stainless steel (V4A) |
| Head A: Body color           | Transparent           |
| Head A: Gasket material      | EPDM                  |
| Labeling sleeve side A       | No                    |

**Side B**

|                        |                  |
|------------------------|------------------|
| Head B: Connection     | Open-ended wires |
| Labeling sleeve side B | No               |

**Cables**

|                           |                      |
|---------------------------|----------------------|
| Cable length              | 300 cm               |
| Length tolerance          | + 10 cm              |
| Stripping length          | 20 mm                |
| Shielded                  | No                   |
| Conductor structure       | 42 × 0,1 mm          |
| AWG                       | 22                   |
| External sheath: Material | TPE-S                |
| External sheath: Color    | Blue                 |
| Cable diameter            | 4,3 mm $\pm$ 5%      |
| Wire cross section        | 0,34 mm <sup>2</sup> |

**Cable**

|                                   |                  |
|-----------------------------------|------------------|
| Cable: Temperature range (mobile) | - 25 ...+ 105 °C |
| Cable: Temperature range (fixed)  | - 40 ...+ 105 °C |
| Shielded                          | No               |
| Bending radius (fixed)            | 21,5 mm          |
| Number of wires                   | 3                |
| Number and diameter of wires      | 3x0,34           |
| Length tolerance                  | + 10 cm          |

**Cable**

|                                 |                          |
|---------------------------------|--------------------------|
| Cable length                    | 300 cm                   |
| Acceleration (C-track)          | max. 10 m/s <sup>2</sup> |
| AWG                             | 22                       |
| Bending radius (fixed)          | min. 5 × outer diameter  |
| Torsion speed                   | max. 35 cycles/min       |
| Bending radius (mobile)         | min. 10 × outer diameter |
| Cable weight                    | approx. 24,2 g/m         |
| Conductor structure             | 42 × 0,1 mm              |
| Cable diameter                  | 4,3 mm $\pm$ 5%          |
| Conductor: Material             | Copper, bare             |
| External sheath: Material       | TPE-S                    |
| Insulation: Material            | PP                       |
| No. of bending cycles (C-track) | approx. 4000000 Cycles   |
| Nominal voltage                 | 300 V AC                 |
| No. of torsion cycles           | approx. 2000000 Cycles   |
| Paired stranding                | No                       |
| Single wire diameter            | 0,1 mm                   |
| Cable: Test voltage             | 3 kV                     |
| Torsion stress in °             | $\pm 180^\circ/\text{m}$ |
| Total stranding                 | 3 wires strand           |
| Travel speed (C-track)          | max. 3 m/s               |
| Traversing path (horizontal)    | max. 10 m                |
| Wire cross section              | 0,34 mm <sup>2</sup>     |
| Wire processing                 | No                       |
| Wire diameter incl. isolation   | 1,27 mm $\pm$ 5%         |
| External sheath: Color          | Blue                     |

**Données électriques**

|                               |                    |
|-------------------------------|--------------------|
| Operating voltage             | 24 V DC $\pm$ 25 % |
| Nominal voltage               | 300 V AC           |
| Contact resistance            | max. 30 mOhm       |
| Operating current per contact | max. 4 A           |

**Données mécaniques**

|                              |                          |
|------------------------------|--------------------------|
| Head A: Degree of protection | IP65, IP68, IP69K        |
| Bending radius (mobile)      | min. 10 × outer diameter |
| Bending radius (fixed)       | min. 5 × outer diameter  |

**Caractéristiques techniques**

**Données mécaniques**

|                                 |                          |
|---------------------------------|--------------------------|
| No. of bending cycles (C-track) | approx. 4000000 Cycles   |
| Torsion speed                   | max. 35 cycles/min       |
| Torsion stress in °             | ± 180 °/m                |
| No. of torsion cycles           | approx. 2000000 Cycles   |
| Acceleration (C-track)          | max. 10 m/s <sup>2</sup> |
| Travel speed (C-track)          | max. 3 m/s               |

**Conditions ambiantes**

|                                  |   |
|----------------------------------|---|
| Temperature range (mobile)       | - 25 ...+ 85 °C   |
| Temperature range (fixed)        | - 40 ...+ 85 °C   |
| Cable: Temperature range (fixed) | - 40 ...+ 105 °C  |
| Dragchain capable                | Oui   |
| Head A: Chemical resistance      | Chemical resistance tested according to ECOLAB. If other media are used, the material resistance must be tested according to the application. |

**Conditions ambiantes**

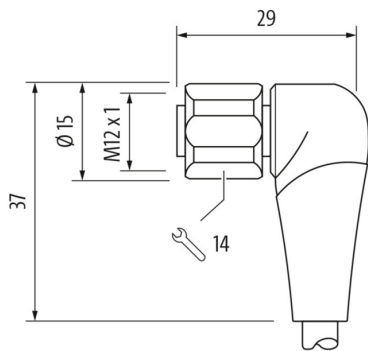
|                                   |  |
|-----------------------------------|--|
| Head A: Flame resistance          | HB (UL 94)   |
| Head A: Oil resistance            | ASTM 1 oil, mineral oils, limited to hydraulic oils    |
| Head A: Acid and alkali resistant | ECOLAB tested  |
| Head A: Pollution degree          | 3  |
| Cable: Chemical resistance        | ECOLAB material resistance test passed                 |
| Cable: Acid and alkali resistant  | Good (FDA 21 178.3620, 178.3297, 177.1520, EU 10/2011) |
| Cable: Silicone-free              | Oui  |

**Commercial data**

|        |          |
|--------|----------|
| Eclass | 27060311 |
|--------|----------|

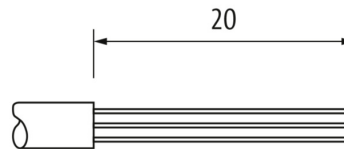
**Side A**

**Technical drawing**



**Side B**

**Technical drawing**



**Coding**

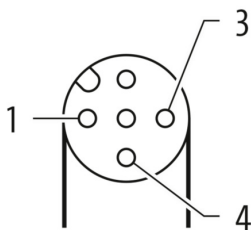
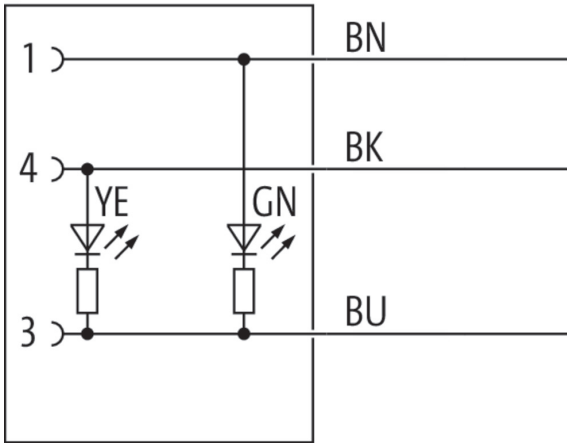


Schéma de raccordement



Dessin d'encombrement

