

Sine encoders

Blind hollow shaft

1000...5000 sinewave cycles per turn

BHT sine



BHT with blind hollow shaft

Features

- Encoder with blind hollow shaft $\varnothing 10$ mm
- Optical sensing method
- Up to 5000 sinewaves cycles per turn
- Sine output
- Integrated flexible coupling for simple mounting

Technical data - electrical ratings

Voltage supply	5 VDC ± 5 %
Consumption typ.	100 mA (5 VDC, w/o load)
Sinewave cycles per revolution	1000...5000
Reference signal	Zero pulse, width 90°
Sensing method	Optical
Output frequency	≤ 160 kHz
Output signals	A 90° B, N + inverted
Output stages	SinCos 1 Vpp
Interference immunity	DIN EN 61000-6-2
Emitted interference	DIN EN 61000-6-3
Approval	UL approval / E217823

Technical data - mechanical design

Size (flange)	$\varnothing 58$ mm
Shaft type	$\varnothing 9.52$ mm (blind hollow shaft) $\varnothing 10$ mm (blind hollow shaft)
Protection DIN EN 60529	IP 65
Operating speed	≤ 6000 rpm
Operating torque typ.	0.037 Nm
Materials	Housing: aluminium Flange: aluminium
Operating temperature	-20...+85 °C
Relative humidity	95 % non-condensing
Resistance	DIN EN 60068-2-6 Vibration 10 g, 10-200 Hz DIN EN 60068-2-27 Shock 50 g, 11 ms
Connection	Connector M23, 12-pin Cable 2 m
Weight approx.	300 g

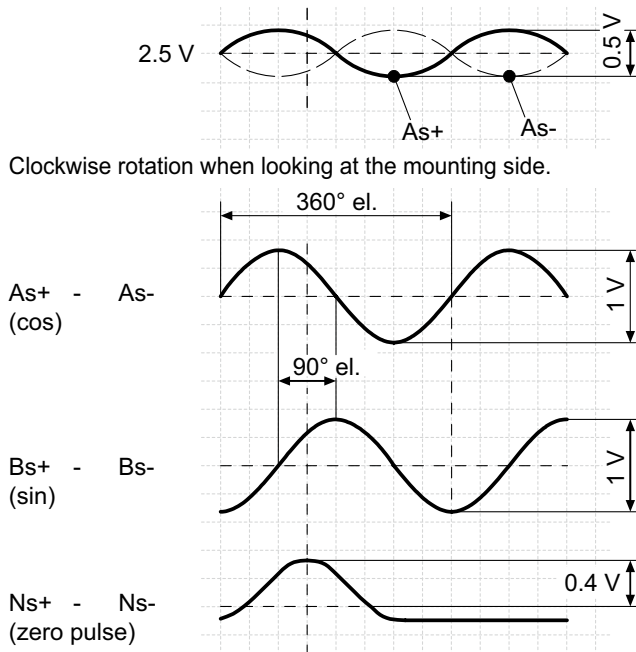
Sine encoders

Blind hollow shaft

1000...5000 sinewave cycles per turn

BHT sine

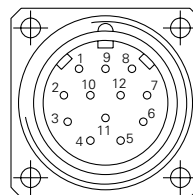
Output signals



Terminal assignment

Cable / Connector M23 male
for connection references **-A** and **-5**

Connector	Core colour	Signals
Pin 1	pink	Bs-
Pin 2	blue	+Vs
Pin 3	red	Ns+
Pin 4	black	Ns-
Pin 5	brown	As+
Pin 6	green	As-
Pin 7	yellow	n.c.
Pin 8	grey	Bs+
Pin 9	–	n.c.
Pin 10	white	0 V
Pin 11	–	0 V
Pin 12	–	+Vs
Screen	connected to housing	
Cable data	9 x 0,14 mm ²	



Sine encoders

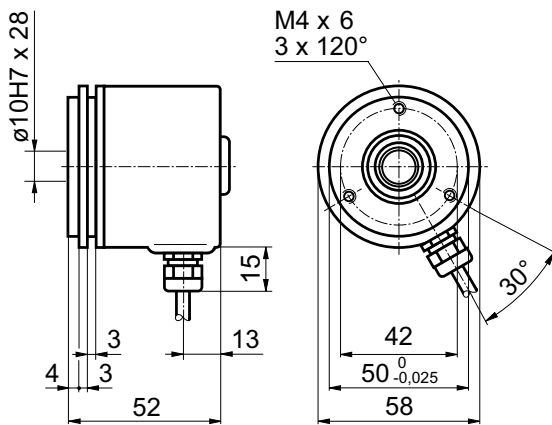
Blind hollow shaft

1000...5000 sinewave cycles per turn

BHT sine

Dimensions

BHT sine, cable radial



BHT sine, connector output radial

